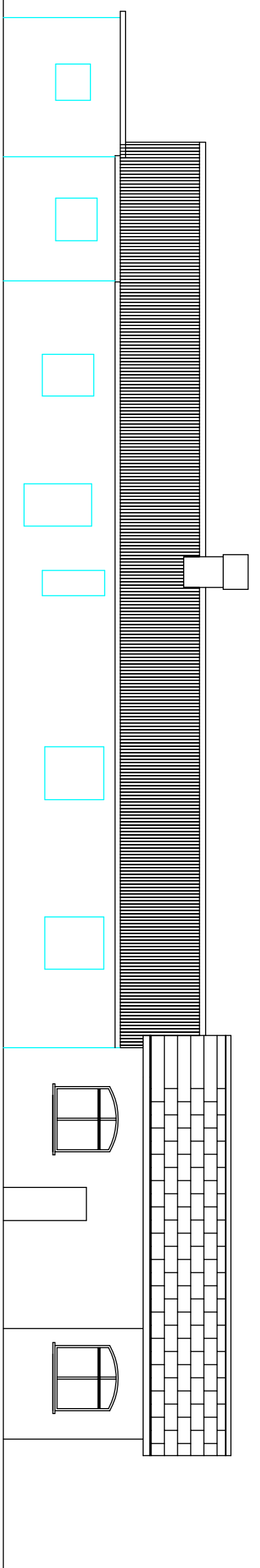
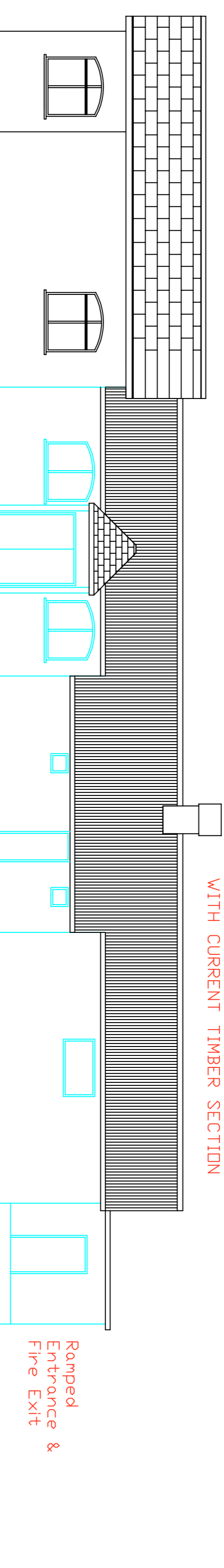


**ST FRANCIS
COMMUNITY
CHURCH IN ITS
CURRENT FORM**



Right (East) Elevation

Fire Exit



WITH CURRENT TIMBER SECTION

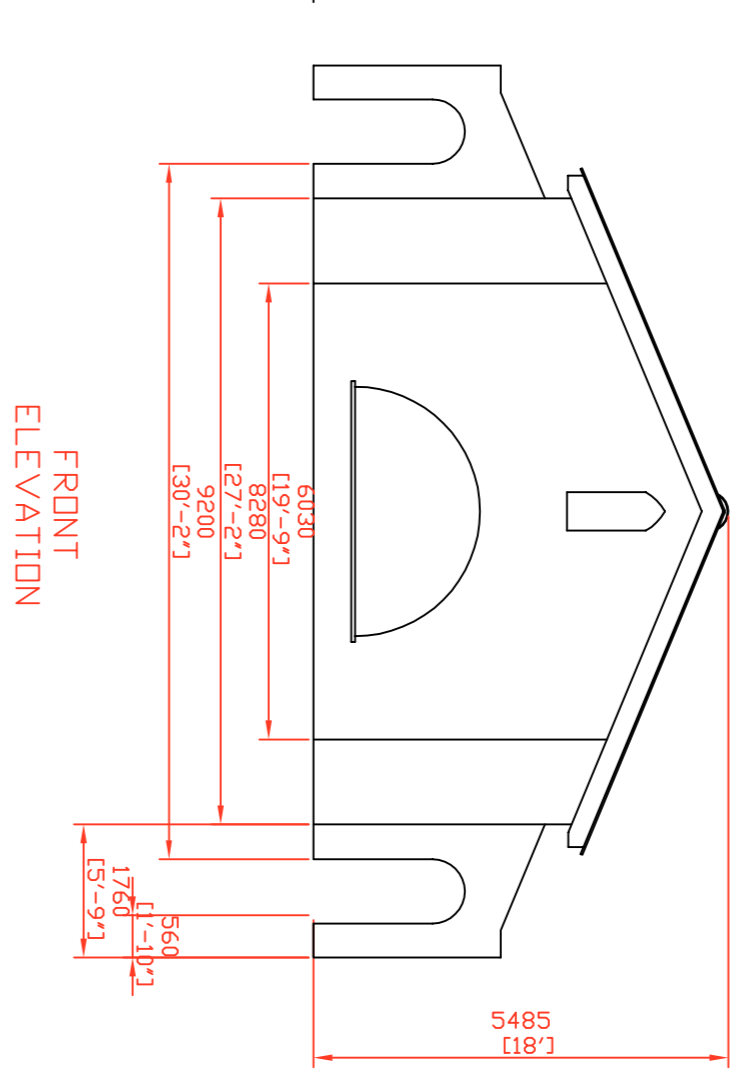
Present Church entrance

Left (West) Elevation

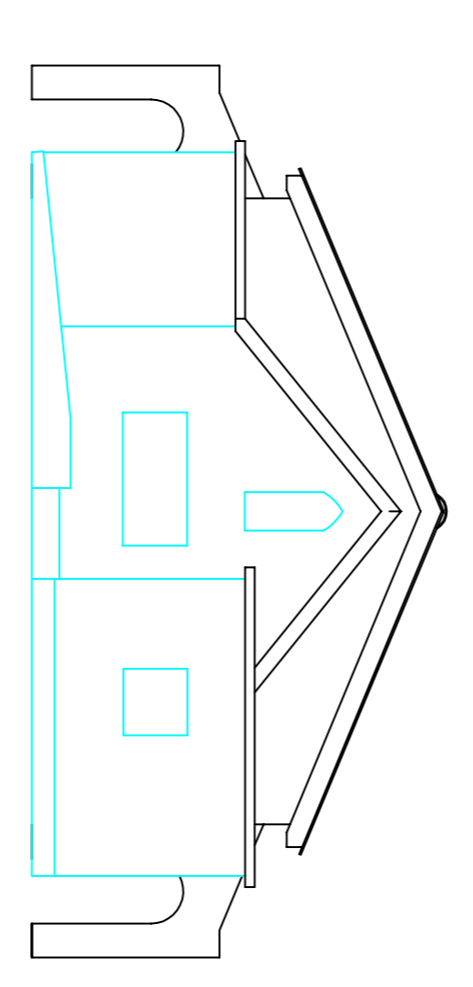
Present Hall entrance

Fire Exit

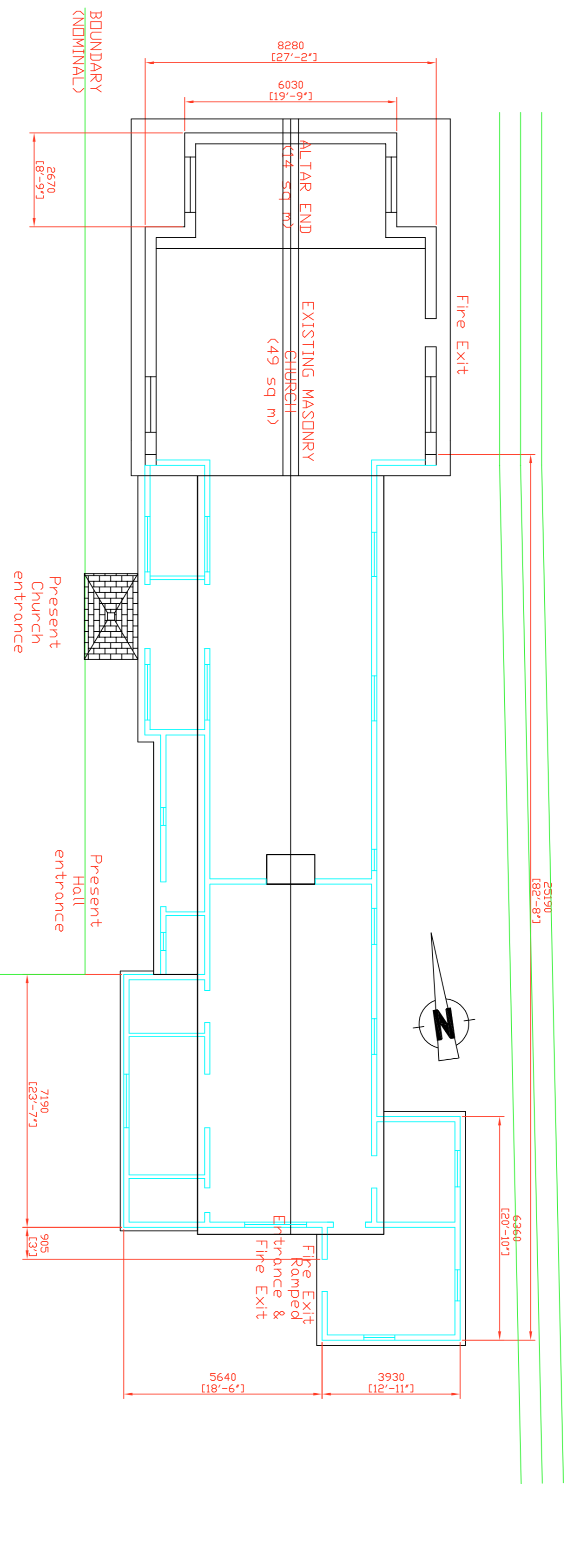
Ramped Entrance & Fire Exit



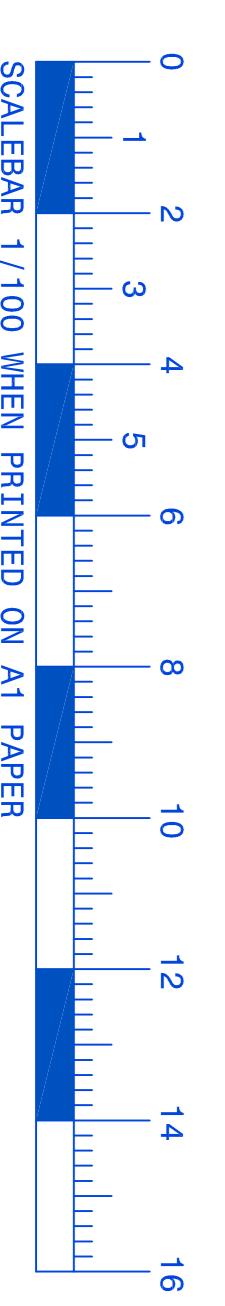
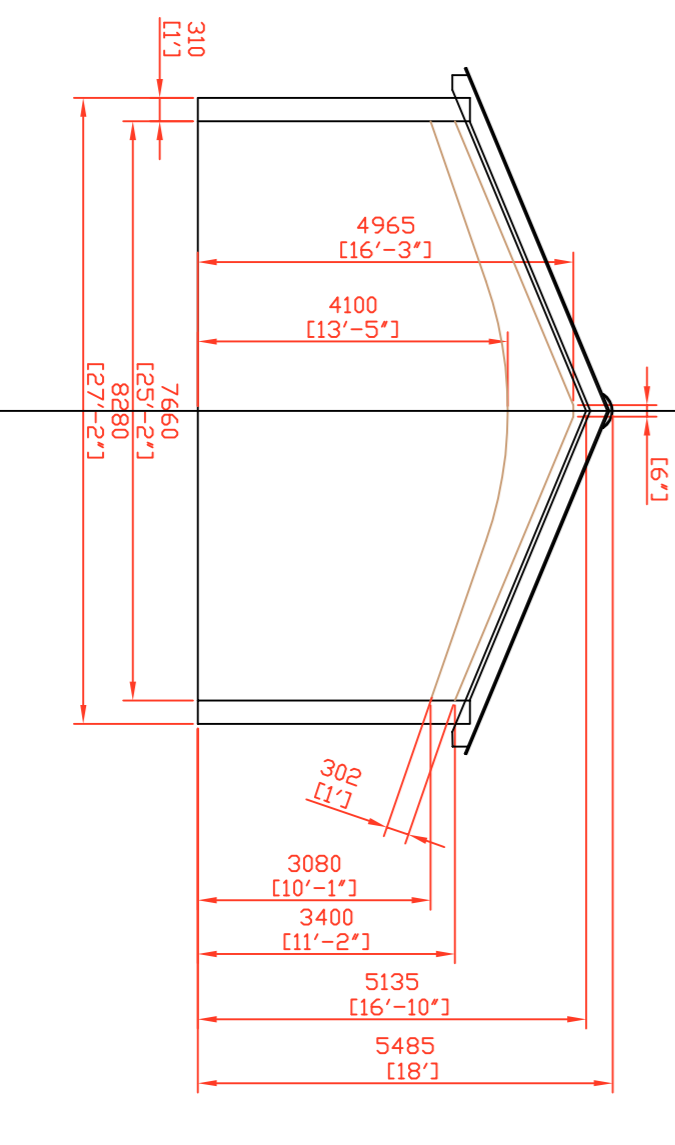
FRONT ELEVATION



REAR ELEVATION



EXISTING MASONRY SECTION
ROOF AND GLUE LAMINATED
BEAM DETAILS



SCALEBAR 1/100 WHEN PRINTED ON A1 PAPER

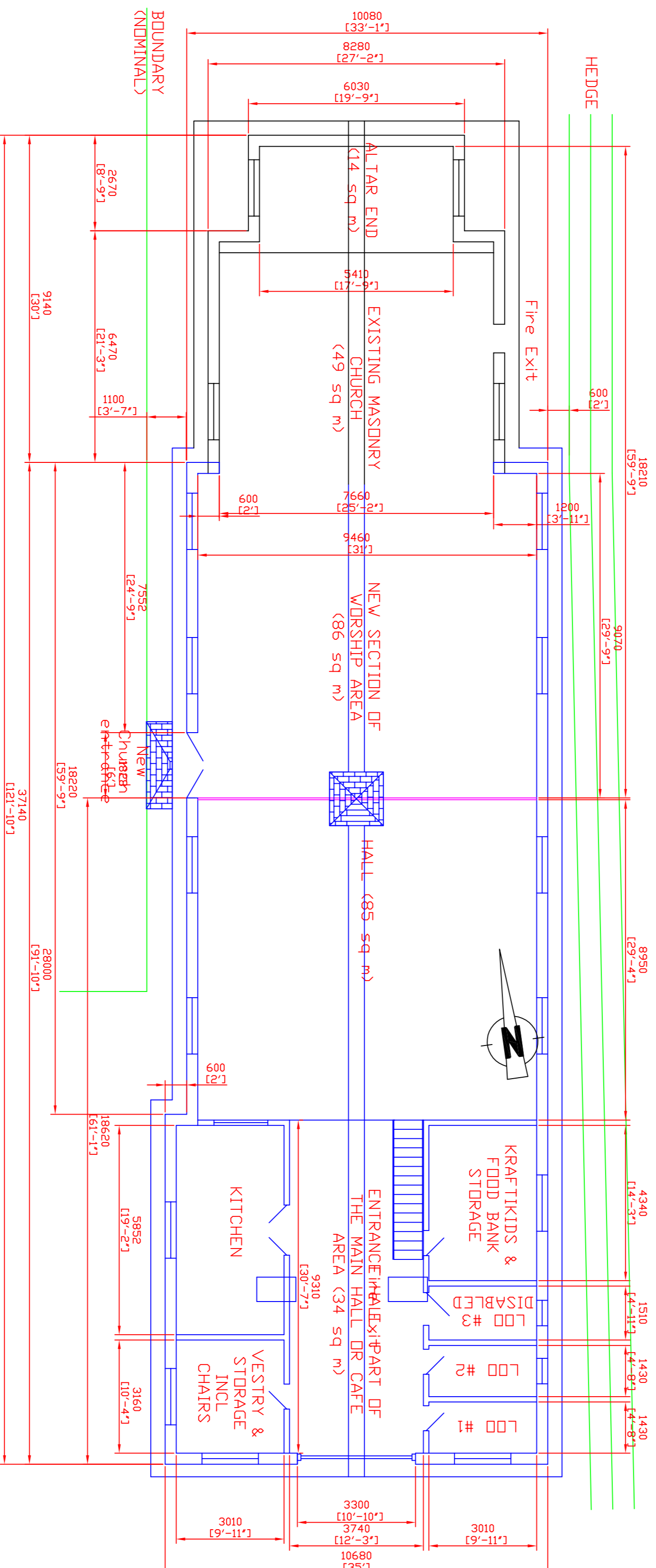
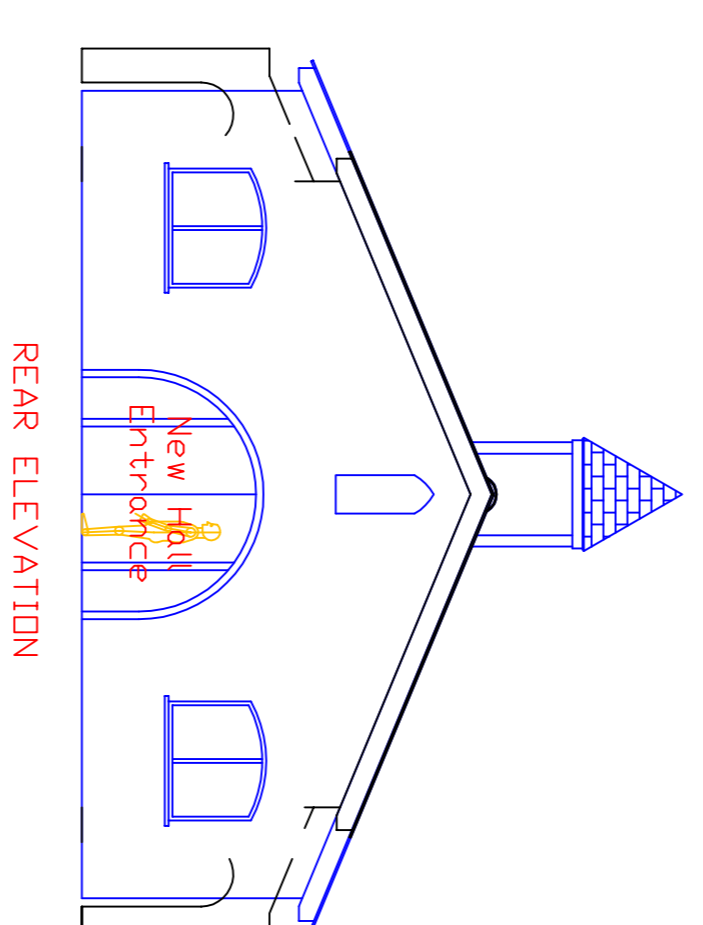
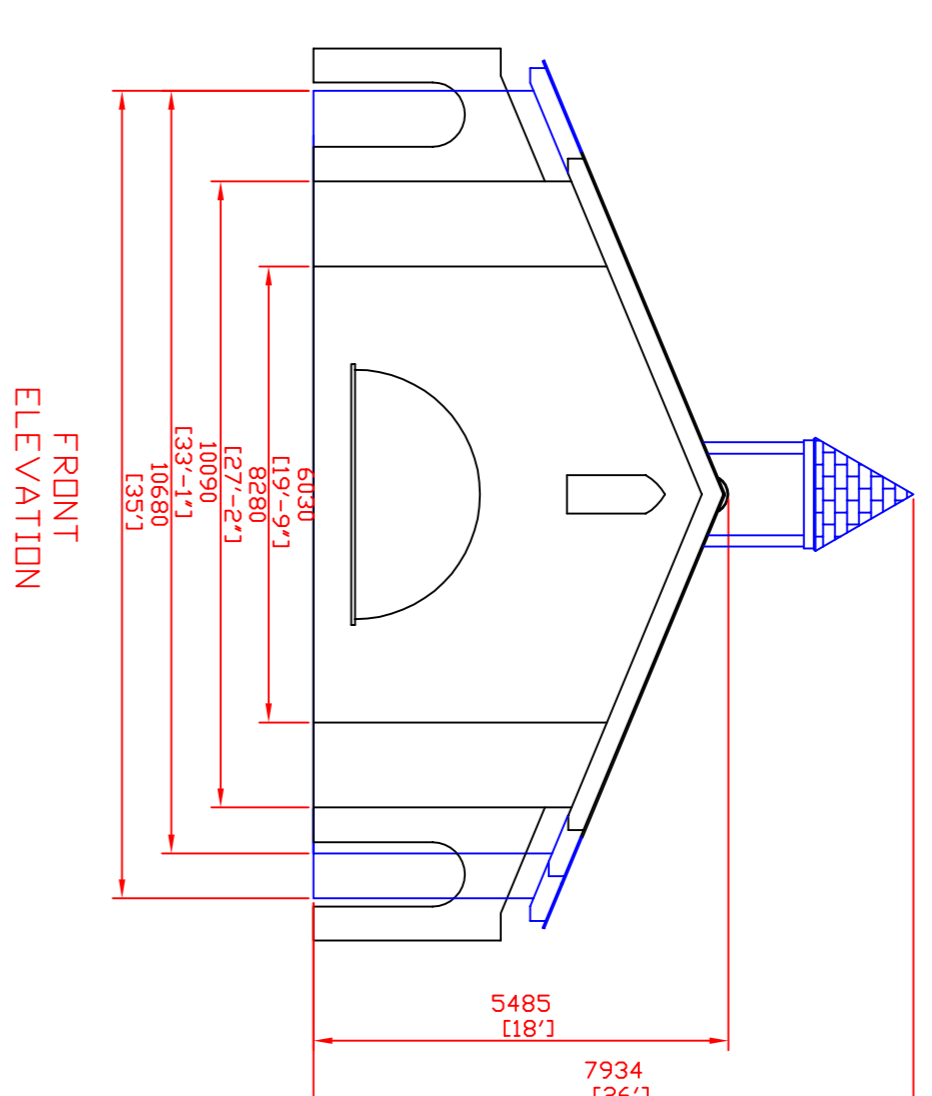
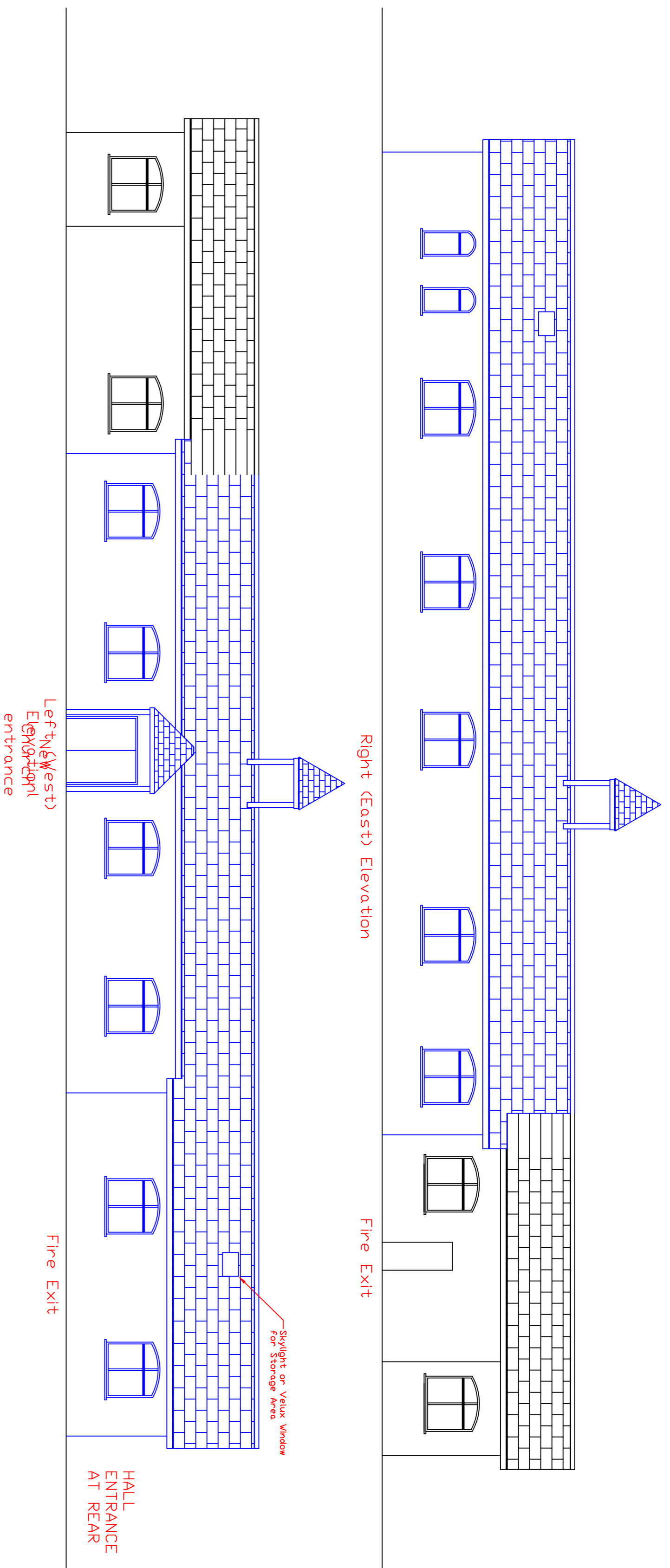
No.	Revision/Issue	Date

Firm Name and Address
John & Fiona Ryland
 Ryland Research Ltd
 23 Warren Close
 Whitehill
 Bordon
 GU35 9EX
 www.rylandresearch.co.uk

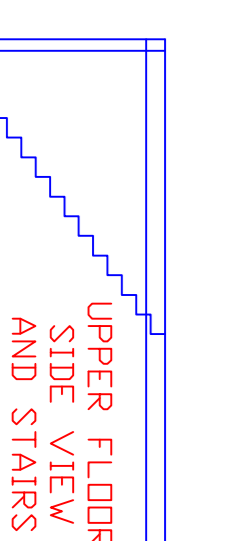
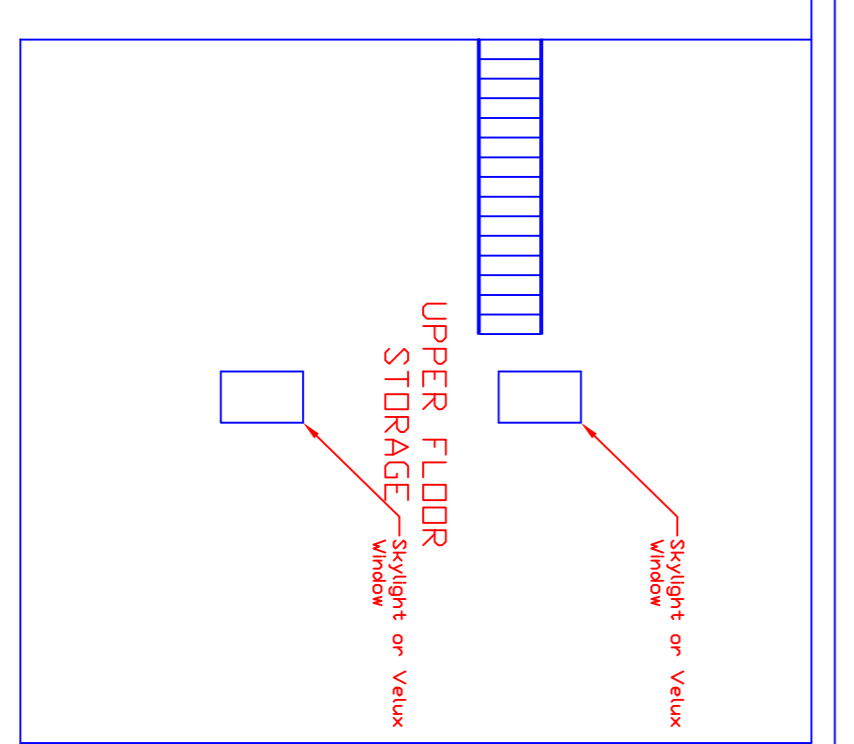
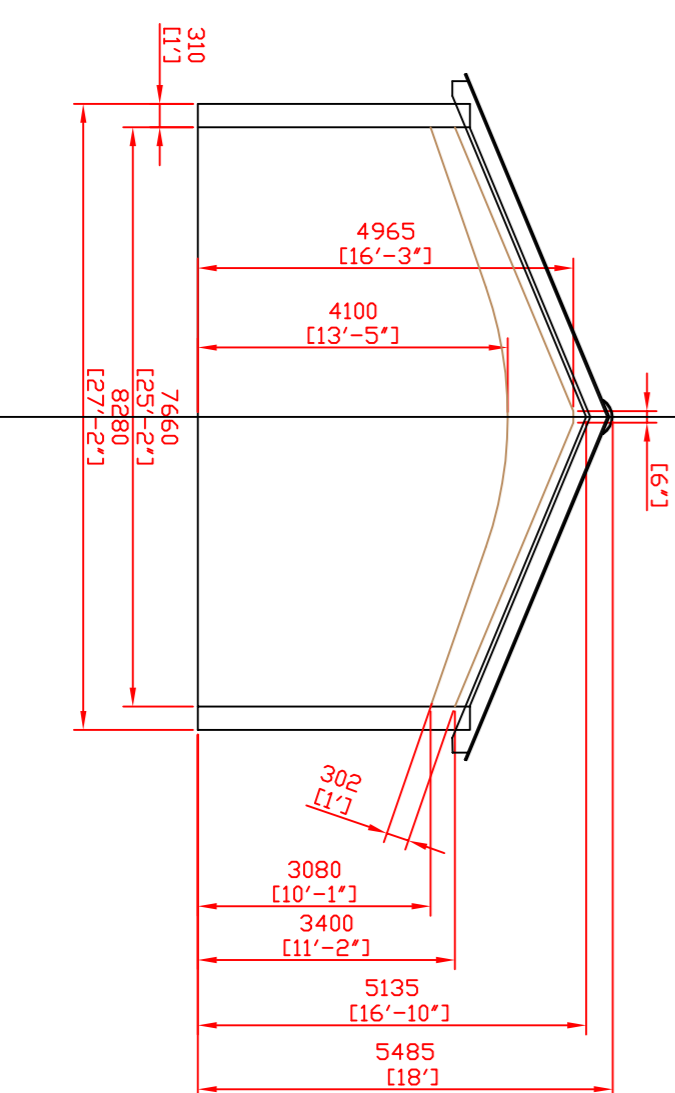
Project Name and Address
ST FRANCIS COMMUNITY CHURCH
 EDDYS LANE
 HEADLEY DOWN
 HAMPSHIRE
 GU34 8HU

Project Sheet
 Date **05/04/14**
 Scale **1:100 on A1 Paper**

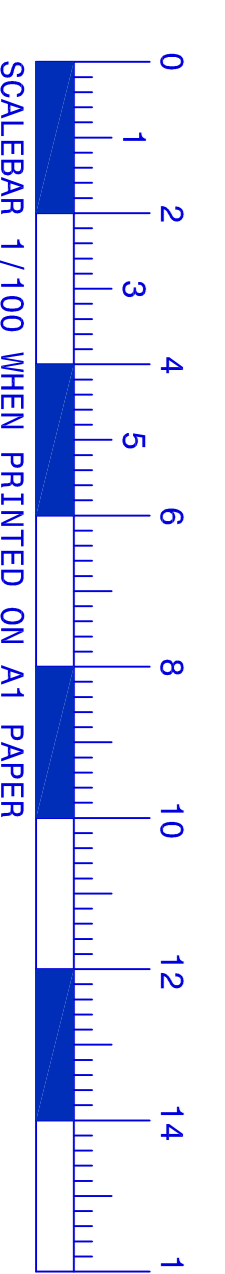
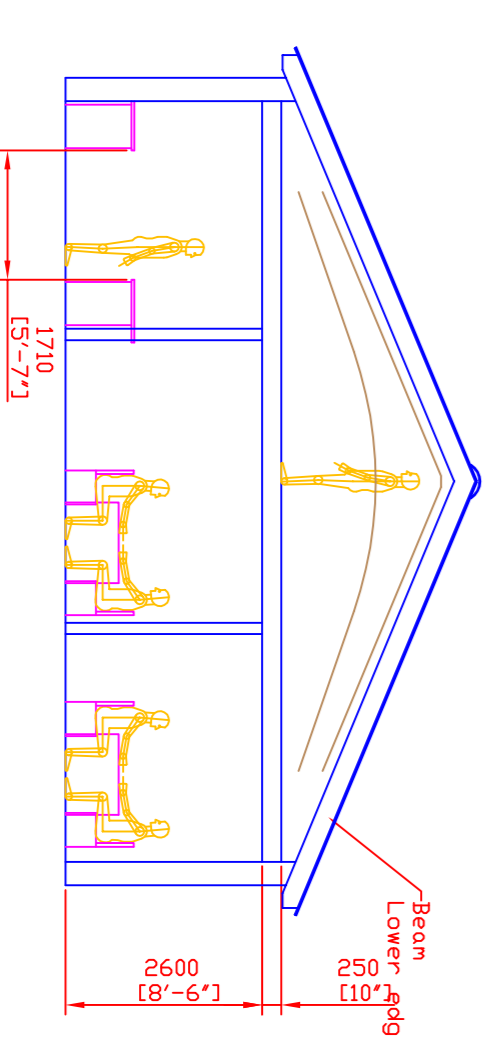
REAR, LEFT AND SECTIONAL SUBSTITUTION AND REPLACEMENT ORIGINAL SECTION SHOWN IN BLACK AND NEW MASONRY FRONT EXTENSION SHOWN IN BLACK
PROPOSED NEW MASONRY REPLACEMENT FOR TIMBER SECTION SHOWN IN BLUE



EXISTING MASONRY SECTION
 ROOF AND GLUE LAMINATED
 BEAM DETAILS



SECTIONAL VIEW THROUGH KITCHEN, CAFÉ
 MEETING/PRAYER AREA SHOWING STORAGE
 FLOOR ABOVE



No.	Revision/Issue	Date

Firm Name and Address
John & Fiona Ryland
 Ryland Research Ltd
 23 Warren Close
 Whitehill
 Bordon
 GU35 9EX
 www.rylandresearch.co.uk

Project Name and Address
ST FRANCIS COMMUNITY CHURCH
 EDDYS LANE
 HEADLEY DOWN
 HAMPSHIRE
 GU34 8HU

Project 1710 Sheet
 Date 05/04/14
 Scale 1:100 on A1 Paper